

ROOMOR CEILING 1.0

16-Feb.-2019

1.0 PAR16
 max. 35W | GU10 | 100-240VAC | 50-60Hz
 CE IP20 45°/45°

MOUNTING COLOUR
 black texture 168120B_..

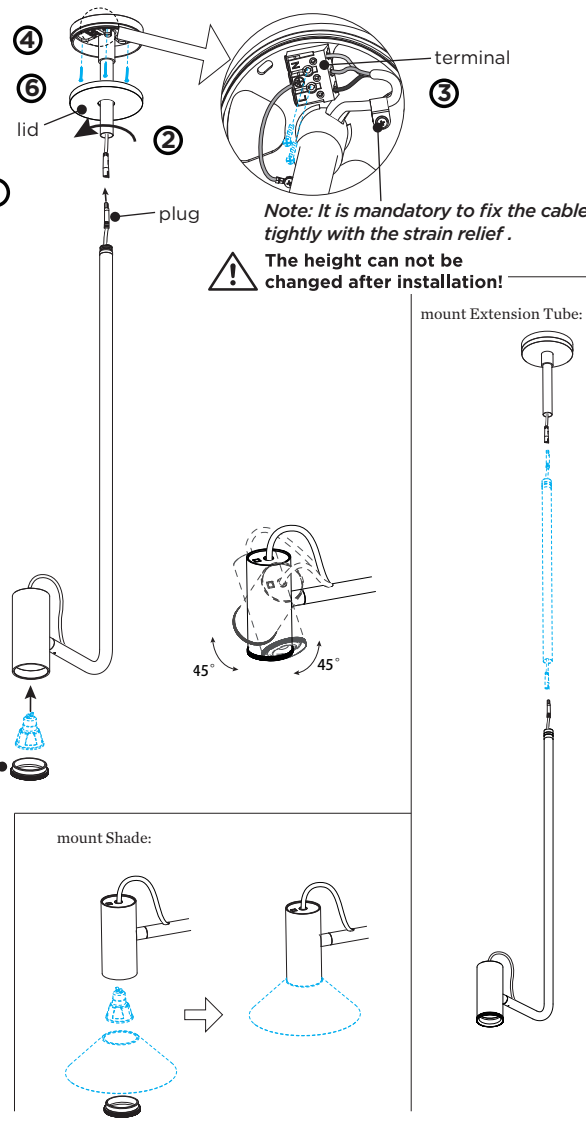
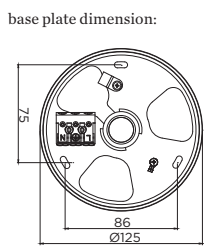
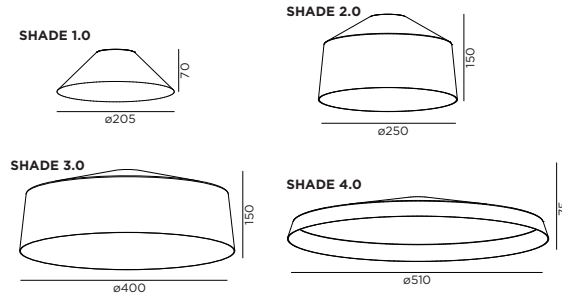
1.0 E27
 LED QA60 max. 12W | E27 | 220-240VAC | 50-60Hz
 CE IP20 45°/45°

MOUNTING COLOUR
 black texture 1681E0B_..

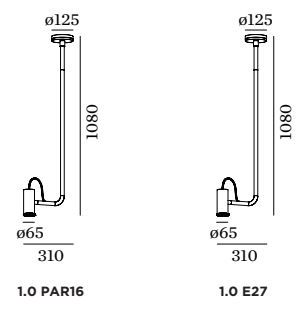
OPTIONAL

Extension Tube		
0.5 m	90019192	
1 m	90019191	
.....		
No shade		00
SHADE 1.0		
black texture		B1
black texture + gold		K1
felt grey (max.15W)		F1
SHADE 2.0		
black texture		B2
black texture + gold		K2
felt grey (max.15W)		F2
SHADE 3.0		
black texture		B3
black texture + gold		K3
felt grey (max.15W)		F3
SHADE 4.0		
black texture		B4
black texture + gold		K4
felt grey (max.15W)		F4

for lamps see our catalogue



DIMENSIONS

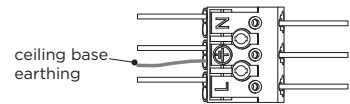


MOUNTING INSTRUCTION

- ① Connect the cable plugs;
- ② Mount the ceiling base on the luminaire by rotating.
- ③ Open the lid, and fix the terminal in the base with two screws.
- ④ mount the base on the ceiling with 3 screws.

POWER CONNECTION

- ⑤ Connect the power



- ⑥ Close the lid of ceiling base by pressing.
- ⑦ Unscrew the lower ring of the luminaire body, install a bulb (bulb is not included), and then screw the lower ring back.